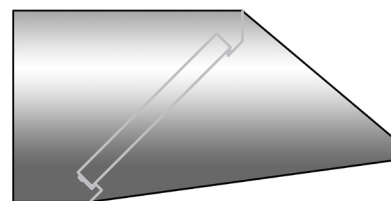
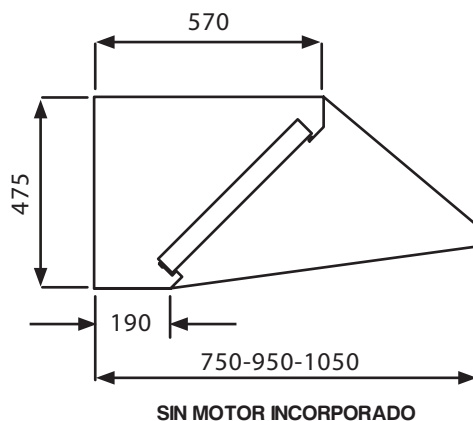


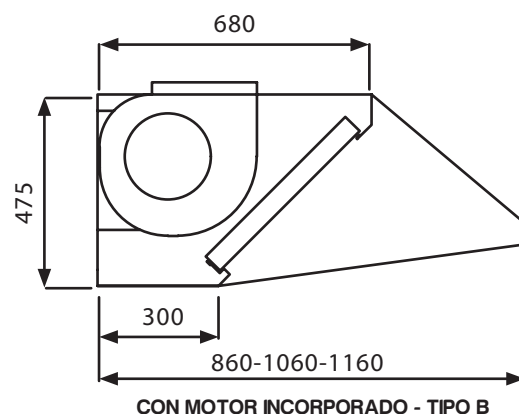
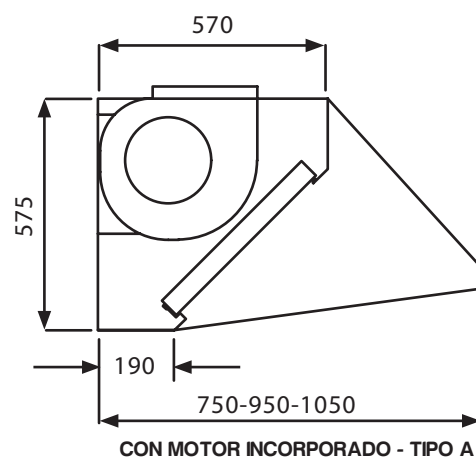
**CAMPANA METALAIR BÁSICA**

FONDO	LARGO	FILTROS	€UROS VISERA INCLINADA	€UROS VISERA RECTA
750	1000	2	839,31	1.049,14
	1500	3	1.044,94	1.306,18
	2000	4	1.254,50	1.568,13
	2500	5	1.475,91	1.844,91
	2000	6	1.823,94	2.280,00
950	1000	2	912,88	1.141,10
	1500	3	1.118,50	1.398,13
	2000	4	1.328,25	1.660,31
	2500	5	1.563,15	1.953,94
	3000	6	1.931,58	2.414,48
1.150	1000	2	955,36	1.194,20
	1500	3	1.167,40	1.459,25
	2000	4	1.391,53	1.739,41
	2500	5	1.637,00	2.046,25
	3000	6	1.984,88	2.481,10



**CAMPANA MOTOR INCORPORADO (NO 400°/2H)**

FONDO	LARGO	VENTILADOR	FILTROS	€UROS VISERA INCLINADA	€UROS VISERA RECTA
750	1000	9/9 1/3 CV	2	1.327,30	1.659,13
	1500	9/9 1/3 CV	3	1.548,89	1.936,11
	1500	9/9 1/2 CV	3	1.552,31	1.940,39
	2000	9/9 1/3 CV	4	1.774,62	2.218,28
	2000	9/9 1/2 CV	4	1.778,04	2.222,55
950	2000	9/9 3/4 CV	4	1.795,07	2.243,84
	1000	9/9 1/3 CV	2	1.407,56	1.759,45
	1500	9/9 1/3 CV	3	1.629,15	2.036,44
	1500	9/9 1/2 CV	3	1.632,56	2.040,70
	2000	9/9 1/3 CV	4	1.855,22	2.319,03
950	2000	9/9 1/2 CV	4	1.858,63	2.323,29
	2000	9/9 3/4 CV	4	1.875,67	2.344,59



Para campanas con motor incorporado 400°/2H **CONSULTAR PRECIOS**